



MARK LEVINSON N°5105

For nearly 50 years, the most discerning individuals have chosen Mark Levinson products for their luxurious beauty and revealing sound. Robust materials, lavish finishes, bold geometry, and outstanding performance are celebrated attributes of the Mark Levinson brand. The N°5105 Premium High-Performance Turntable delivers on that notoriety with an original custom design.

With its elegant motif, the N°5105 blends lustrous elements intrinsic to the acclaimed 5000 series while introducing new material combinations essential for its exceptional performance. No detail has been overlooked.

Like its 5000 series companions, the N°5105 features one-inch thick, bead-blasted, black-anodized, solid aluminum front panels that are machined and contoured to flow seamlessly into the sleek glass display, which itself is recessed into a bead-blasted, clear-anodized aluminum bezel, with aluminum speed and standby control buttons to match. The iconic Mark Levinson hourglass knob design makes a cameo as a record weight: bead-blasted machined aluminum with a gently curved profile mass loaded with solid brass. This silhouette is echoed in the custom aluminum tonearm two-axis gimbal housing.

The custom 10-inch high gloss black carbon fiber tonearm tube is fixed to a solid aluminum headshell with an integrated finger lift.

The 14 lb solid aluminum platter is suspended on a grounded hardened steel axle rotating on precision ball bearings which are attached with a pre-load force for ultra-precise movement and damping. An oil-free bearing bottom made of a mix of composite material with integrated lubrication and maintenance-free brass sintered bushings ensures easy operation for years to come.

A digitally controlled 12V synchronous motor with 33 rpm and 45 rpm speed selections by the front panel buttons. The all-digital output stage of the motor control signal generates nearly no heat; therefore, no temperature drift. This ensures speed stability and low wow and flutter.

The integrated wide-range power supply with 90-260 VAC and four included AC cables, makes the N°5105 ready to power up out of the box anywhere in the world.

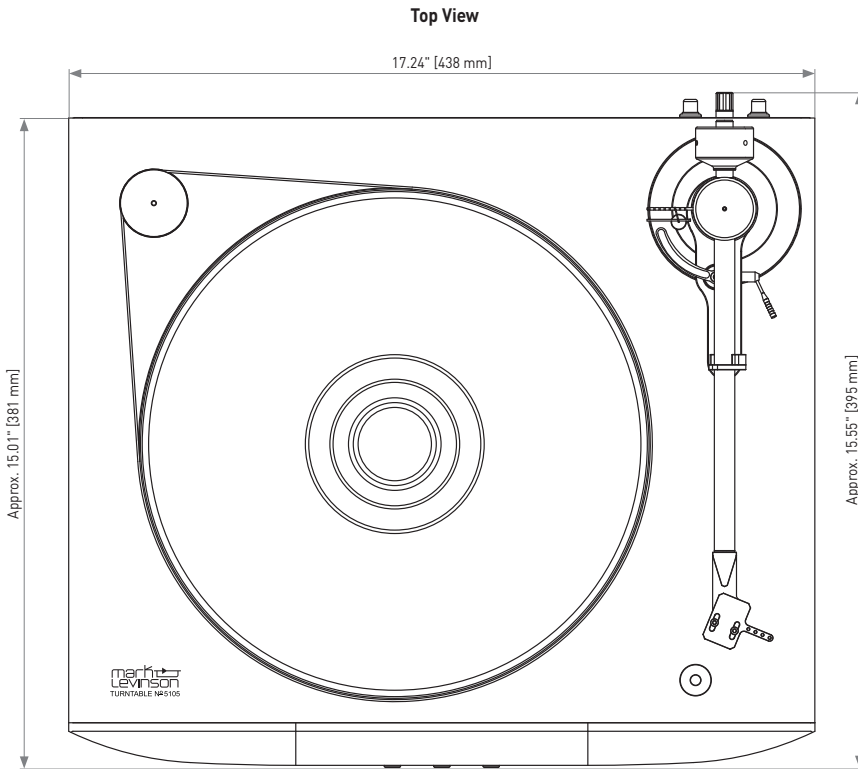
The signature platter mat and user guide are stylishly delivered in the N°5105 12" double LP gatefold jacket.

The N°5105 MC is factory calibrated with an Ortofon Quintet Black moving coil cartridge.



Performance Specifications

MARK LEVINSON N°5105



- Dimensions:** 17.2" x 15.6" x 6.1" / 438 mm x 395 mm x 154 mm
- Weight:** 75 lbs / 34 kg
- Drive system:** Integrated DC-motor
- Speed range:** 33 1/3 RPM and 45 RPM
- Power supply:** Internal AC to DC power adaptor; input 100V to 260V AC 50-60Hz
- Bearing:** High precision bearing
- Chassis:** 17.2" x 15" x 2" / 438 mm x 380 mm x 50 mm; aluminum; 3 height adjustable feet
- Platter:** 11.75" diameter x 1.33" / 299 mm diameter x 34 mm; aluminum; weight: 13 lbs / 6 kg
- Tonearm:** Effective length 10"; mounting distance 9.36" / 237.8mm; overhang 0.64" / 16.2 mm, height adjustable



HARMAN International Industries, Incorporated
 8500 Balboa Boulevard, Northridge, CA 91329
 marklevinson.com

©2020 HARMAN International Industries, Inc. Mark Levinson and the Mark Levinson logo are trademarks of HARMAN International Industries, Inc., registered in the United States and other countries. All rights reserved. Features, specifications and appearance are subject to change without notice.